



# FALTER

this is your basic lo-fi squarewave digital VCO, yes just a 555, with a few additions. it has a wide switchable frequency range, voltage controlled input with a depth control and a switch for DC offset.

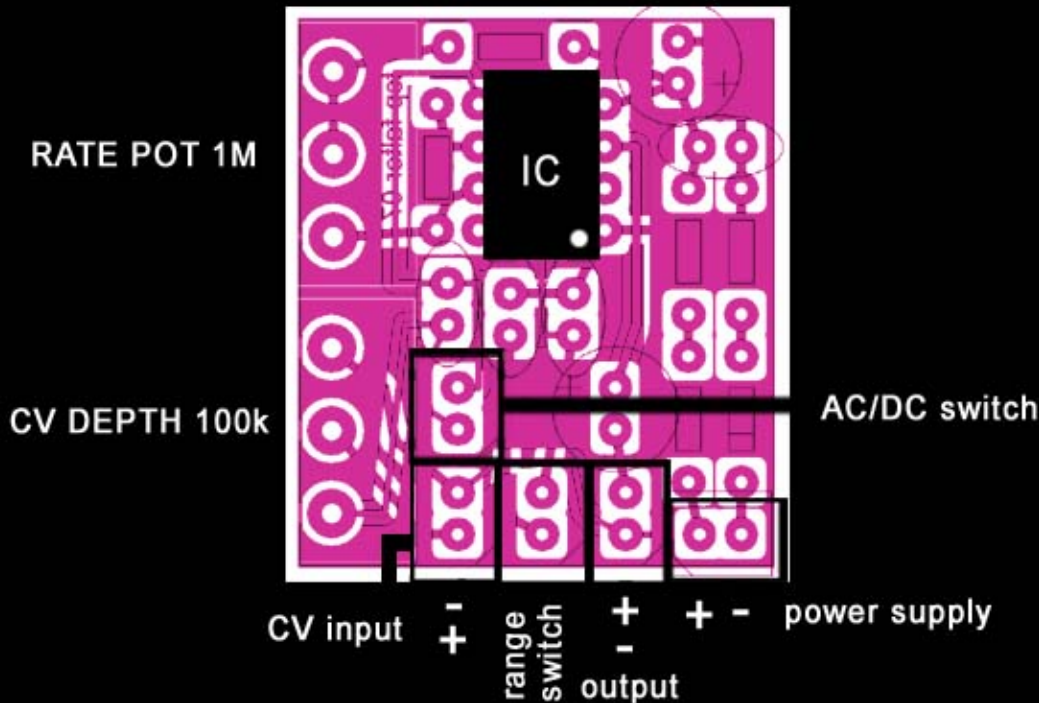
the rate pot can either be panel mounted or you can just wire them up with the hookup wire provided. the pin choices are just suggestions.

soldering a jack to the output will allow you to use it with any outboard device

the CV input, the CV depth pot and AC/DC switch are optional,

1M pot, 100K pot (optional), 2 spst switches (one optional) and a power source - 9v recommended.

top view



top view



power supply range from 4.5 volts DC to 15 volts DC

length and width dimensions—1-3/8" x 1-1/4" or 35mm x 30mm

height dimensions - without pots 7/16" or 15mm / with pots 15/16" or 24mm

pot wiring for passive volume control - any value will work but 100k works best for me in most cases - experiment

© 2008 laac | all rights reserved

<http://thesquarewaveparade.com/falter.html>